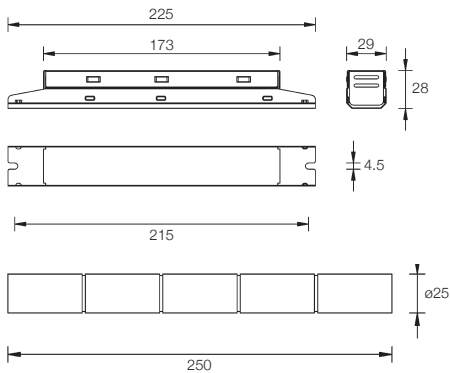
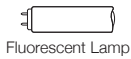
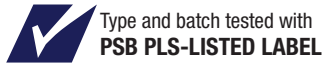




MEM/M/128E MINI



Dimension: mm NTS



### » Technical Data

Mode of operation	: Maintained / combined maintained
Lamp	: 4-pin TL5 fluorescent lamp
Rated duration	: 2 hr and others
Mains supply	: 230 Volts, 50/60Hz
Power consumption	: 2VA
Battery	: High temp nickel cadmium/nickel-metal hydride
Charge monitor	: Red LED ø5mm
Test facility	: Push-off test switch
Safety feature	: Low volt cut-off preventing battery overdischarge
Fitting construction	: Electro galvanised steel with epoxy powder coating
Weight (module only)	: 0.25kg (gross)
Compliance	: SS490 : Part 2:7, IEC 61347-2-7
Warranty	: 1 year

### » Ordering Guide

Please check with Sales Dept if customisation is required

Model	Lamp (watt)
MEM/M/114E MINI	14 Fluorescent
MEM/M/128E MINI	28 Fluorescent
MEM/M/154E MINI	35, 49, 54 Fluorescent

Note:

All above specifications are only for electronic ballast application.

Specifications subject to changes without prior notice