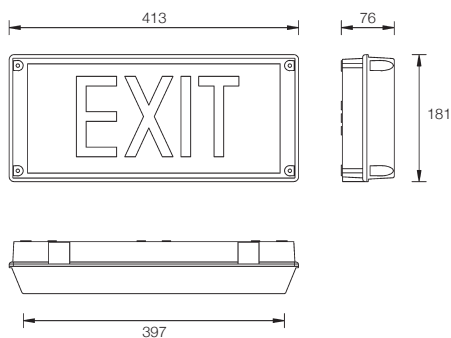




KL/M/108E



KL/M/1080



Dimension: mm NTS

Type and batch tested with
PSB PLS-LISTED LABEL



**Surface/Semi-recessed Mount
Weatherproof Exit Sign**



**IP65
CLASS 1**

» Technical Data

Mode of operation	: Maintained
Lamp	: 1 x 8W fluorescent lamp
Rated duration	: 2 hr and others
Mains supply	: 230 Volts, 50/60Hz
Power consumption	: 10VA
Battery	: High temp nickel cadmium
Charge monitor	: Red LED ø5mm
Test facility	: Push-off test switch
Safety feature	: Low volt cut-off preventing battery overdischarge
Housing & Diffuser	: Injection moulded fire retardant, high impact polycarbonate
Mounting	: Wall, ceiling suspended or semi-recessed
Cable entry	: ø20mm K/O hole
Weight	: 2kg (gross)
Compliance	: CP19, SS263 : Part 2, IEC 598-2-22, SS508
Warranty	: 1 year

» Ordering Guide

Please check with Sales Dept if customisation is required

Single Sided	Legend
KL/M/1080	
KL/M/108R	
KL/M/108L	
KL/M/108RM	
KL/M/108E	
KL/M/108W	
KL/M/108S	
KL/M/108N	

Specifications subject to changes without prior notice