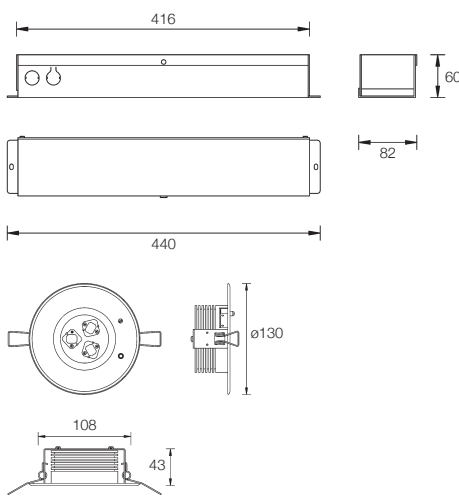




UFOR/NM/L303 NC



Dimension: mm NTS

High Power L.E.D
from SHARP



Type and batch tested with
PSB PLS-LISTED LABEL



Ø105mm

Recess Mount
Emergency Luminaire



IP30
CLASS 1

» Technical Data

Mode of operation	: Non-maintained
Lamp	: 3 x 3.6W Light Emitting Diode (LED) with 3 x 280lm output
Rated duration	: 2 hr and others
Mains supply	: 230 Volts, 50/60Hz
Power consumption	: 5VA
Battery	: High temp nickel cadmium
Charge monitor	: Red LED ø5mm
Test facility	: Micro switch
Safety feature	: Low volt cut-off preventing battery overdischarge
Fitting construction	: Electro galvanised steel with epoxy powder coating
Mounting	: Recess
Cable entry	: ø20mm K/O hole
Weight	: 2.0kg (gross)
Compliance	: CP19, SS263 : Part 2, IEC 598-2-22
Warranty	: 1 year

» Ordering Guide

Please check with Sales Dept if customisation is required

Model	Lamp (watt)	Battery type
UFOR/NM/L303 NC	3 X 3.6 LED	Nickel cadmium

» Key Features

- high brightness output
- standard size application for both accessible and inaccessible ceiling
- low power consumption
- low maintenance
- high lumen/watt efficiency
- long lifespan

Specifications subject to changes without prior notice