



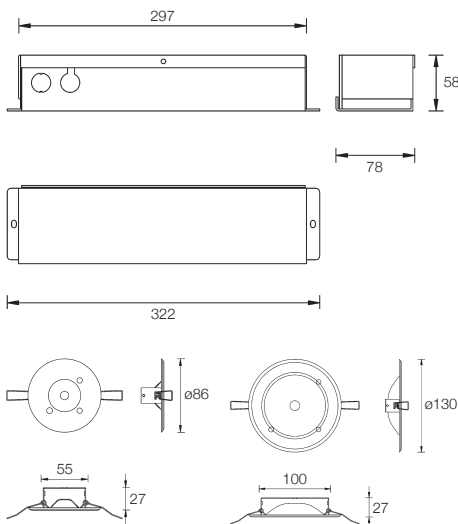
UFO/NM/110



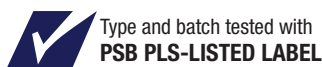
UFO/NM/110
Accessible ceiling



UFOR/NM/110
Inaccessible ceiling



Dimension: mm NTS



**Recess Mount
Miniature Emergency Luminaire**



» Technical Data

Mode of operation	: Non-maintained
Lamp	: 6V 10W miniature tungsten halogen lamp
Rated duration	: 2 hr and others
Mains supply	: 230 Volts, 50/60Hz
Power consumption	: 3VA
Battery	: Maintenance-free sealed lead calcium battery (High temp nickel cadmium available)
Charge monitor	: Red LED ø5mm
Test facility	: Push-off test switch
Safety feature	: Low volt cut-off preventing battery overdischarge
Fitting construction	: Electro galvanised steel with epoxy powder coating
Mounting	: Recess
Cable entry	: ø20mm K/O hole
Weight	: 2kg (gross)
Compliance	: CP19, SS263 : Part 2, IEC 598-2-22
Warranty	: 1 year

» Ordering Guide

Please check with Sales Dept if customisation is required

Model	Lamp (watt)	Battery type
UFO/NM/110	1 X 10 Halogen	Sealed lead calcium
UFO/NM/110 NC	1 X 10 Halogen	Nickel cadmium
UFO/NM/120	1 X 20 Halogen	Sealed lead calcium

Note:

UFO/NM/120 is applicable for 6V 20W halogen lamp (remote box 440 X 82 X 60).

SLA battery is highly recommended in non-maintained mode for low replacement cost.

All above specifications are available in UFOR version.

Specifications subject to changes without prior notice